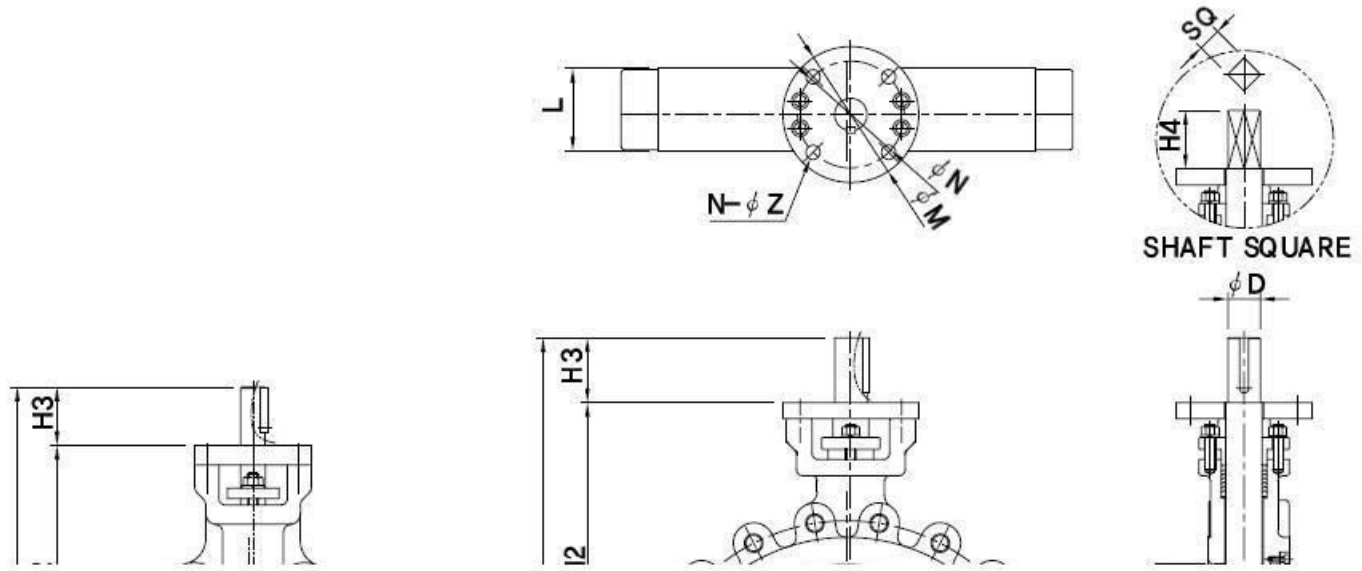
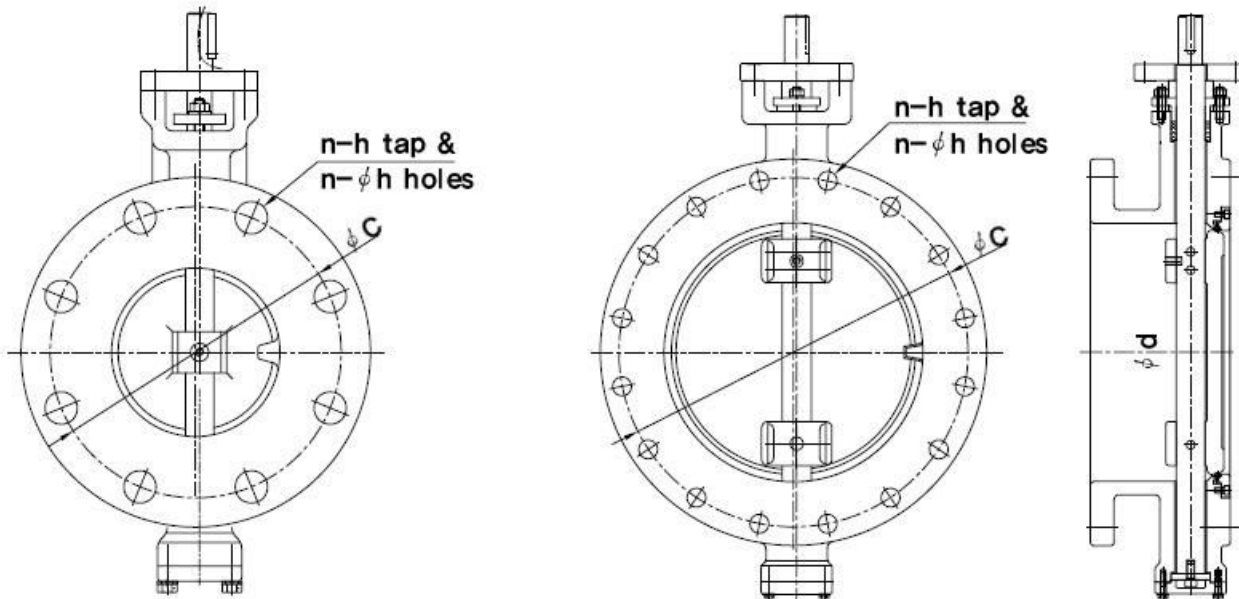
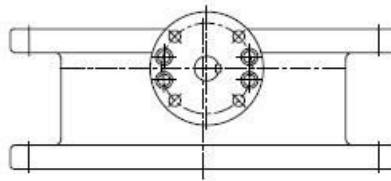


High-performance Lug Type



High-performance Butterfly valves



FLANGE DIMENSIONS

unit : mm

SIZE		JIS 10K			JIS 16K			JIS 20K			ANSI 150LB			ANSI 300LB			BS 4504 PN10			BS 4504 PN16		
inch	mm	∅C	n	h	∅C	n	h	∅C	n	h	∅C	n	h	∅C	n	h	∅C	n	h	∅C	n	h
2'	50	120	4	19	120	8	19	120	8	19	120.5	4	19	127	8	19	125	4	19	125	4	19
2.5'	65	140	4	19	140	8	19	140	8	19	139.5	4	19	149	8	22	145	4	19	145	4	19
3'	80	150	8	19	160	8	23	160	8	23	152.5	4	19	168	8	22	160	8	19	160	8	19