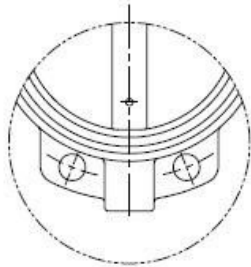
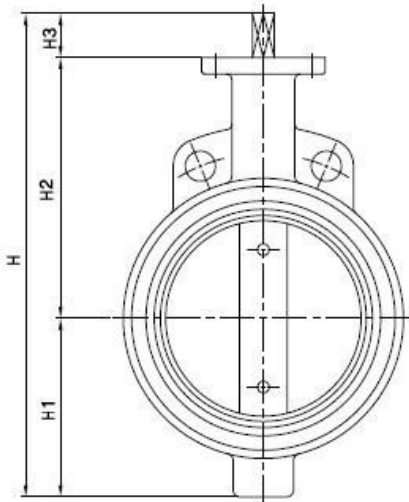
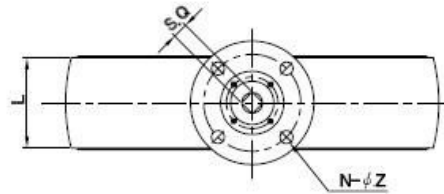


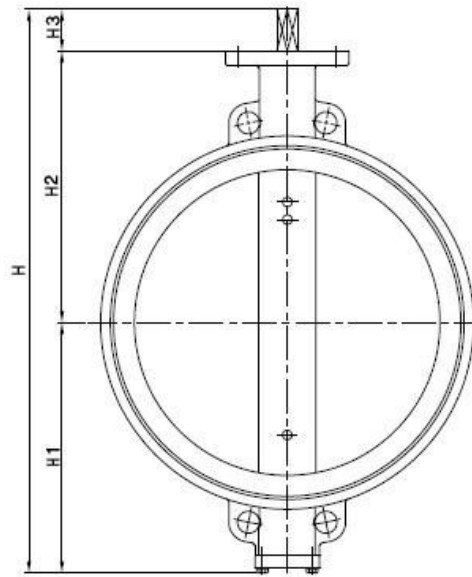
Concentric Wafer Type



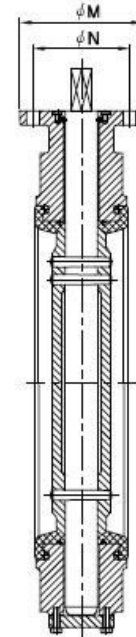
ND 250(10'') ~ 350(14'')



ND 200(8'') and BELOW



ND 400(16'') and OVER



VALVE DIMENSIONS

unit : mm

| SIZE | | L | H | H1 | H2 | H3 | STEM | TOP FLANGE | | | WEIGHT (APPROX.) (kg) | |
|------|-----|-----|-----|-----|-----|----|------|------------|-----|-----|-----------------------------|------|
| inch | mm | | | | | | SQ | TYPE | øN | øM | | N-øZ |
| 2' | 50 | 43 | 216 | 55 | 128 | 33 | 9 | F07 | 70 | 90 | 4-9 | 3 |
| 2.5' | 65 | 46 | 239 | 66 | 140 | 33 | 9 | F07 | 70 | 90 | 4-9 | 4 |
| 3' | 80 | 46 | 258 | 75 | 150 | 33 | 9 | F07 | 70 | 90 | 4-9 | 5 |
| 4' | 100 | 52 | 293 | 95 | 165 | 33 | 12 | F07 | 70 | 90 | 4-9 | 5 |
| 5' | 125 | 56 | 326 | 115 | 178 | 33 | 12 | F07 | 70 | 90 | 4-9 | 7 |
| 6' | 150 | 56 | 353 | 130 | 190 | 33 | 12 | F07 | 70 | 90 | 4-9 | 8 |
| 8' | 200 | 60 | 435 | 155 | 230 | 50 | 17 | F10 | 102 | 125 | 4-12 | 13 |
| 10' | 250 | 68 | 535 | 215 | 270 | 50 | 17 | F10 | 102 | 125 | 4-12 | 20 |
| 12' | 300 | 78 | 611 | 251 | 310 | 50 | 22 | F10 | 102 | 125 | 4-12 | 31 |
| 14' | 350 | 78 | 655 | 270 | 335 | 50 | 27 | F10 | 102 | 125 | 4-12 | 43 |
| 16' | 400 | 102 | 755 | 325 | 370 | 60 | 27 | F14 | 140 | 175 | 4-18 | 70 |
| 18' | 450 | 114 | 797 | 347 | 390 | 60 | 27 | F14 | 140 | 175 | 4-18 | 86 |
| 20' | 500 | 127 | 883 | 383 | 420 | 80 | 36 | F16 | 165 | 210 | 4-22 | 128 |