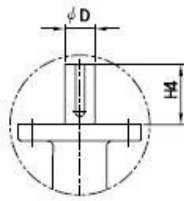
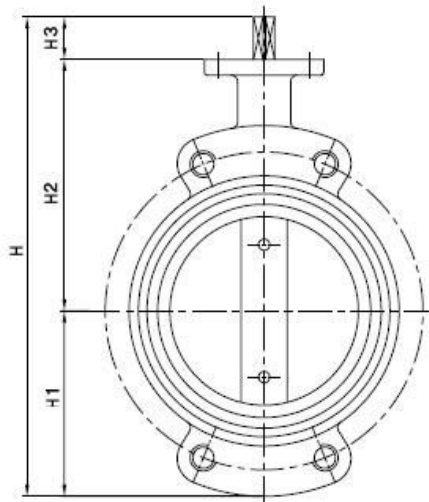
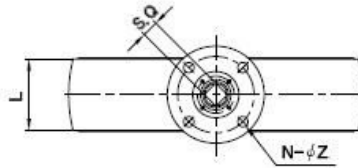


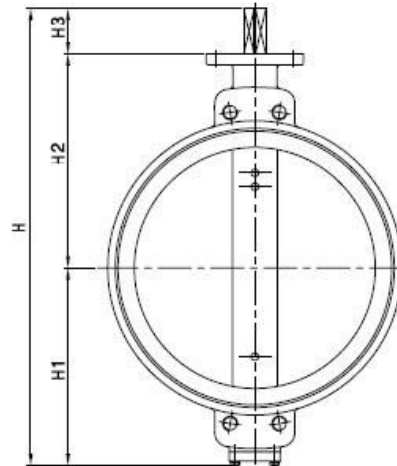
Concentric Semi-Lug Type



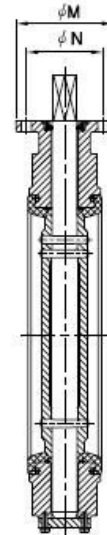
ND 800(32'') and OVER



ND 350(14'') and BELOW



ND 400(16'') and OVER



VALVE DIMENSIONS

unit : mm

SIZE		L	H	H1	H2	H4	STEM				TOP FLANGE				WEIGHT (APPROX.) (kg)
inch	mm						ϕD	KEY SIZE	SQUARE		TYPE	ϕN	ϕM	N- ϕZ	
		SQ	H3												
2"	50	43	21.6	55	12.8	-	-	-	9	33	F07	70	90	4-9	3
2.5"	65	46	23.9	66	14.0	-	-	-	9	33	F07	70	90	4-9	4
3"	80	46	25.8	75	15.0	-	-	-	9	33	F07	70	90	4-9	5
4"	100	52	29.3	95	16.5	-	-	-	12	33	F07	70	90	4-9	8
5"	125	56	32.6	115	17.8	-	-	-	12	33	F07	70	90	4-9	9
6"	150	56	35.3	130	19.0	-	-	-	12	33	F07	70	90	4-9	10
8"	200	60	43.5	155	23.0	-	-	-	17	50	F10	102	125	4-12	19
10"	250	68	53.5	215	27.0	-	-	-	17	50	F10	102	125	4-12	27
12"	300	78	61.1	251	31.0	-	-	-	22	50	F10	102	125	4-12	40
14"	350	78	65.5	270	33.5	-	-	-	27	50	F10	102	125	4-12	46
16"	400	102	75.5	325	37.0	-	-	-	27	60	F14	140	175	4-18	77
18"	450	114	79.7	347	39.0	-	-	-	27	60	F14	140	175	4-18	95
20"	500	127	88.3	383	42.0	-	-	-	36	80	F16	165	210	4-22	135
22"	550	154	96.7	425	46.2	-	-	-	36	80	F16	165	210	4-22	195
24"	600	154	102.8	453	49.5	-	-	-	50	80	F16	165	210	4-22	240
26"	650	165	109.5	490	52.5	-	-	-	50	80	F16	165	210	4-22	285
28"	700	165	115.0	515	55.5	-	-	-	50	80	F16	165	210	4-22	305
30"	750	190	123.0	550	59.0	-	-	-	50	90	F16	165	210	4-22	362
32"	800	190	135.2	592	64.0	120	80	22x14	-	-	F25	254	300	8-18	442
34"	850	210	138.2	612	65.0	120	80	22x14	-	-	F25	254	300	8-18	505
36"	900	203	148.8	658	70.0	130	80	22x14	-	-	F25	254	300	8-18	620
40"	1000	216	164.5	725	77.0	150	95	25x14	-	-	F30	298	350	8-23	735