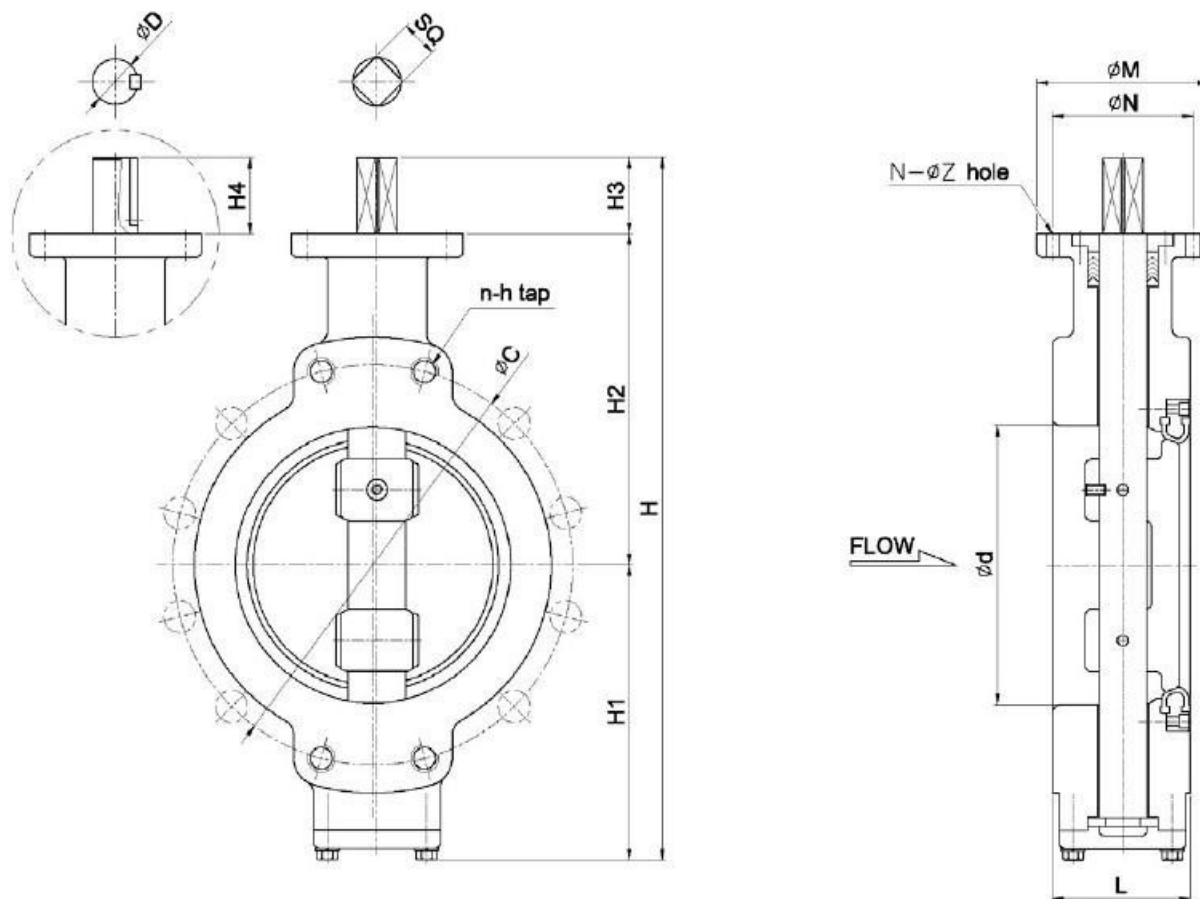


Double Eccentric Cargo Oil Semi-Lug Type



VALVE DIMENSIONS

unit : mm

| SIZE | | ϕd | L | H | H1 | H2 | H3 | STEM | | | TOP FLANGE | | | WEIGHT (APPROX.) (kg) | | |
|------|-------|----------|-----|------|-----|-----|-----|--------|----------|-----|------------|----------|----------|-----------------------------|-------------|--------|
| inch | mm | | | | | | | SQUARE | ROUND | | TYPE | ϕN | ϕM | | N- ϕZ | |
| | | | | | | | | SQ | ϕD | H4 | | | | | | KEY |
| 2" | 50A | 62 | 44 | 276 | 113 | 130 | 33 | 12 | 16 | 33 | 5 x 5 | F07 | 70 | 90 | 4-9 | 5.0 |
| 2.5" | 65A | 75 | 46 | 286 | 118 | 135 | 33 | 12 | 16 | 33 | 5 x 5 | F07 | 70 | 90 | 4-9 | 6.0 |
| 3" | 80A | 90 | 62 | 300 | 127 | 140 | 33 | 12 | 19 | 33 | 6 x 6 | F07 | 70 | 90 | 4-9 | 8.0 |
| 4" | 100A | 106 | 65 | 339 | 146 | 160 | 33 | 12 | 19 | 33 | 6 x 6 | F07 | 70 | 90 | 4-9 | 11.0 |
| 5" | 125A | 128 | 70 | 407 | 162 | 190 | 55 | 17 | 22 | 55 | 8 x 7 | F10 | 102 | 125 | 4-12 | 18.0 |
| 6" | 150A | 150 | 90 | 459 | 189 | 215 | 55 | 17 | 25 | 55 | 8 x 7 | F10 | 102 | 125 | 4-12 | 25.0 |
| 8" | 200A | 202 | 100 | 509 | 214 | 240 | 55 | 27 | 32 | 55 | 10 x 8 | F10 | 102 | 125 | 4-12 | 36.0 |
| 10" | 250A | 250 | 110 | 606 | 256 | 285 | 65 | 27 | 40 | 65 | 12 x 8 | F14 | 140 | 175 | 4-18 | 48.0 |
| 12" | 300A | 300 | 110 | 655 | 275 | 315 | 65 | 27 | 40 | 65 | 12 x 8 | F14 | 140 | 175 | 4-18 | 68.0 |
| 14" | 350A | 335 | 120 | 749 | 309 | 350 | 90 | 36 | 50 | 90 | 14 x 9 | F16 | 165 | 210 | 4-22 | 75.0 |
| 16" | 400A | 390 | 130 | 820 | 350 | 380 | 90 | 36 | 50 | 90 | 14 x 9 | F16 | 165 | 210 | 4-22 | 110.0 |
| 18" | 450A | 440 | 150 | 890 | 383 | 417 | 90 | 46 | 55 | 90 | 16 x 10 | F16 | 165 | 210 | 4-22 | 125.0 |
| 20" | 500A | 490 | 160 | 955 | 420 | 445 | 90 | 50 | 65 | 90 | 20 x 12 | F16 | 165 | 210 | 4-22 | 185.0 |
| 22" | 550A | 540 | 170 | 1021 | 454 | 477 | 90 | 50 | 70 | 90 | 20 x 12 | F16 | 165 | 210 | 4-22 | 265.0 |
| 24" | 600A | 594 | 200 | 1128 | 488 | 520 | 120 | 50 | 80 | 120 | 22 x 14 | F25 | 254 | 300 | 8-18 | 315.0 |
| 26" | 650A | 644 | 210 | 1178 | 513 | 545 | 120 | - | 80 | 120 | 22 x 14 | F25 | 254 | 300 | 8-18 | 385.0 |
| 28" | 700A | 700 | 220 | 1262 | 552 | 590 | 120 | - | 80 | 120 | 22 x 14 | F25 | 254 | 300 | 8-18 | 480.0 |
| 30" | 750A | 750 | 230 | 1333 | 583 | 620 | 130 | - | 85 | 130 | 22 x 14 | F30 | 298 | 350 | 8-23 | 590.0 |
| 32" | 800A | 800 | 240 | 1410 | 625 | 655 | 130 | - | 90 | 130 | 25 x 14 | F30 | 298 | 350 | 8-23 | 685.0 |
| 34" | 850A | 850 | 240 | 1470 | 655 | 685 | 130 | - | 95 | 130 | 25 x 14 | F30 | 298 | 350 | 8-23 | 797.0 |
| 36" | 900A | 900 | 240 | 1585 | 690 | 735 | 160 | - | 100 | 160 | 28 x 16 | F35 | 356 | 415 | 8-33 | 905.0 |
| 40" | 1000A | 1000 | 240 | 1725 | 760 | 805 | 160 | - | 110 | 160 | 32 x 16 | F35 | 356 | 415 | 8-33 | 1210.0 |